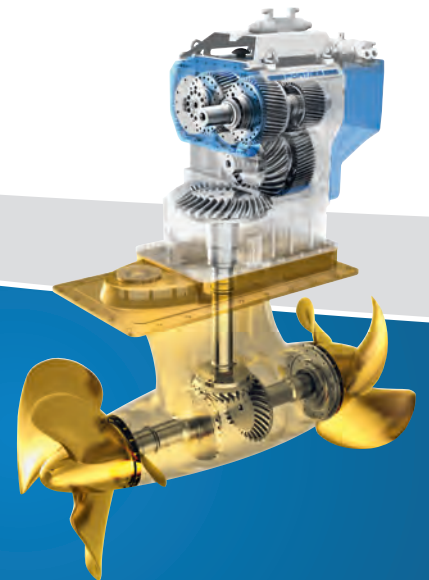


# FORTJES® for Yachts

FORTJES 1000 – 5000 | 300 – 2,000 kW



# Applications for Yachts



For more than 80 years REINTJES has equipped all types of vessels with innovative and reliable products. Internationally positioned on all major markets the REINTJES Service as well as authorised partners are able to offer world-wide marine customer support.



## The innovation

The new FORTJES® propulsion system has been developed to cope with the highest customers' demands and even exceed latest standards of excellence: Increased efficiency, lower emissions and a maximum of comfort in a compact and space saving design – these are only few of the advantages, FORTJES® combines!

## Competence & experience in propulsion technology

The Counter Rotating Propellers (CRP) Push/Pull system with rigid asymmetrical strut can be used for all yacht designs (from 300 to 2,000 kW per pod). Moreover it offers a free selection of engines and control systems. Of course Power Take Off (PTO) and Power Take In (PTI) solutions can be realised.

## Special Features

The engine power is divided onto two counter rotating propellers which results in low propeller load:

- Reduced cavitation and noise
- More thrust at high speed

The pod drive comes with a rigid design in combination with a rudder. This allows for top manoeuvring performances at low speeds and keeps stability at high speeds:

- Hydraulics and control not required
- Less parts, less effort and expenditure

## Options

- Power Take Off (PTO)/ Power Take In (PTI)
- Class approval and certification
- Suitable for various hull shapes

COMPETENCE & EXPERIENCE IN PROPULSION TECHNOLOGY



## Advantages



### Space Saving

- Compact FORTJES® design
- More space for individuality
- Drive train components shifted aft



### Comfort

- More comfort, more fun
- Less cavitation
- Low noise & vibration



### Plug and Play

- 3 easy installation steps
- Ready in 4 hours



### Manoeuvrability

- Excellent handling
- Joystick compatible
- Slow speed drive



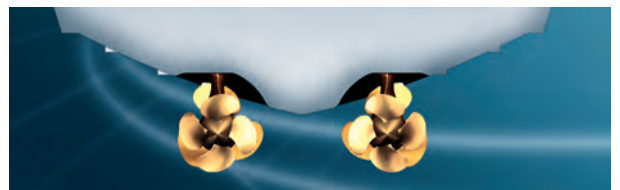
### Efficiency

- Higher speed
- Wider cruising range
- Fuel saving

## Installation



Installation without tunnel

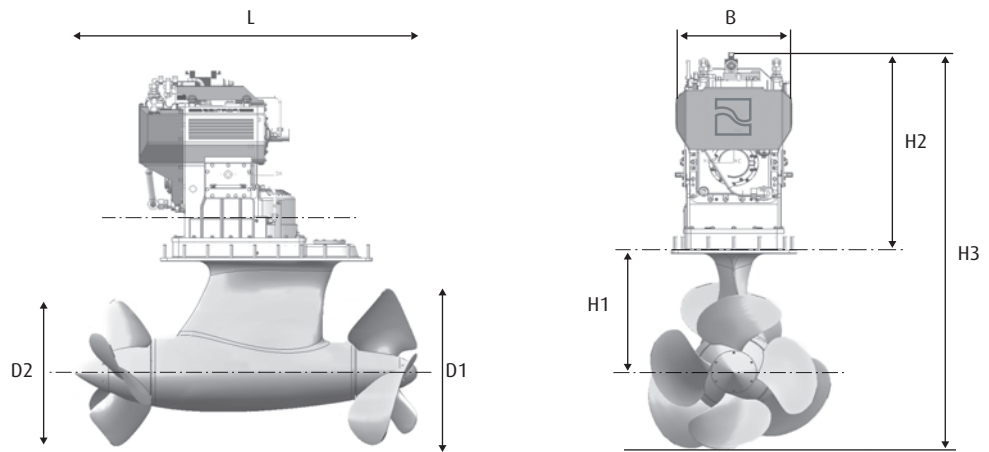


Installation with tunnel



## FORTJES® 1000 – 5000

Non-steerable unit with counter rotating propellers and integrated reverse-reduction gearbox with hydraulically operated clutches.

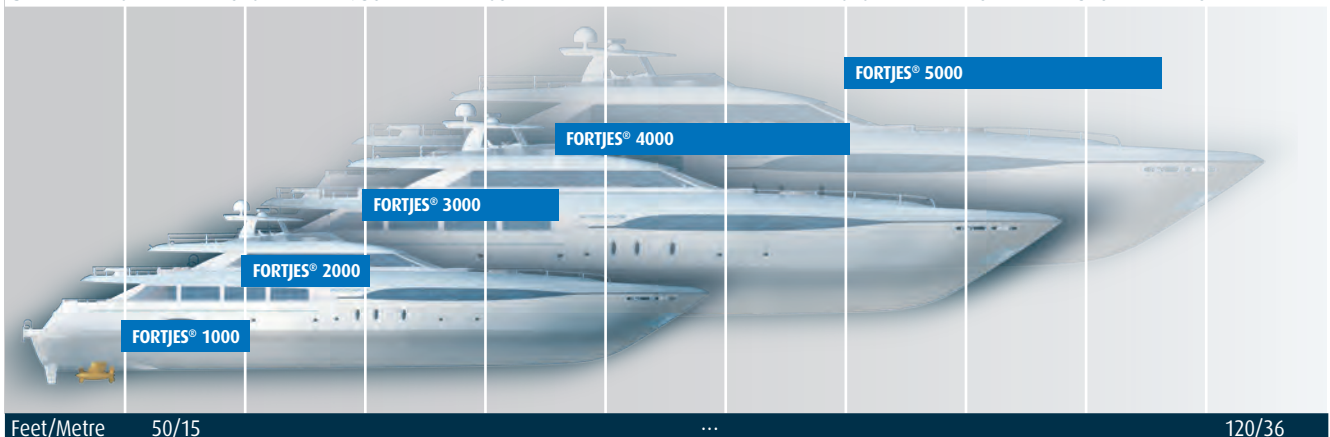


FORTJES® Type	L	B	D1	Main Dimensions (mm)		D2	H1	H2	H3	Effective Weight kg <sup>1)</sup>
<b>1000</b>	1420	480	620	540	428	830	1580	750		
<b>2000</b>	1490	495	696	608	455	720	1534	1210		
<b>3000</b>	1760	560	800	695	540	980	1920	1500		
<b>4000</b>	1925	600	920	850	620	1070	2115	1850		
<b>5000</b>	2045	640	1070	930	715	1200	2540	2350		
<b>6000</b>	larger size on request									

1) Under consideration of buoyancy | Dimensions and weights not strictly binding

## Engine Power

kW	300	500	700	900	1100	1300	1500	1700	1900	2100
BHP	402	670	938	1206	1474	1742	2010	2278	2546	2814



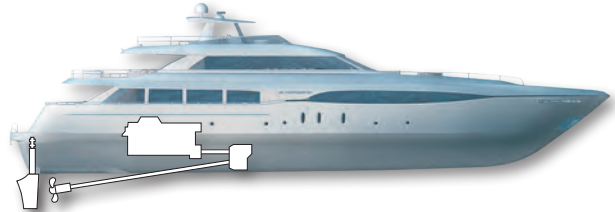
Feet/Metre 50/15

120/36

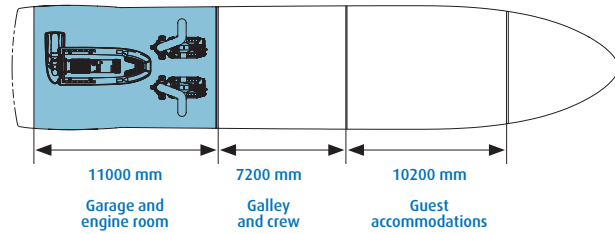
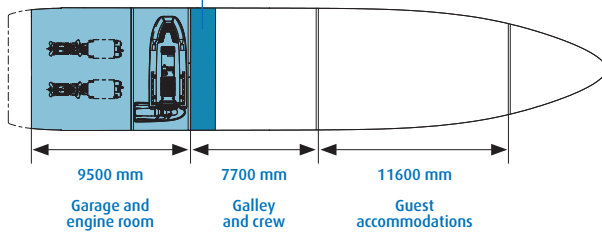
P O W E R E D B Y P A S S I O N

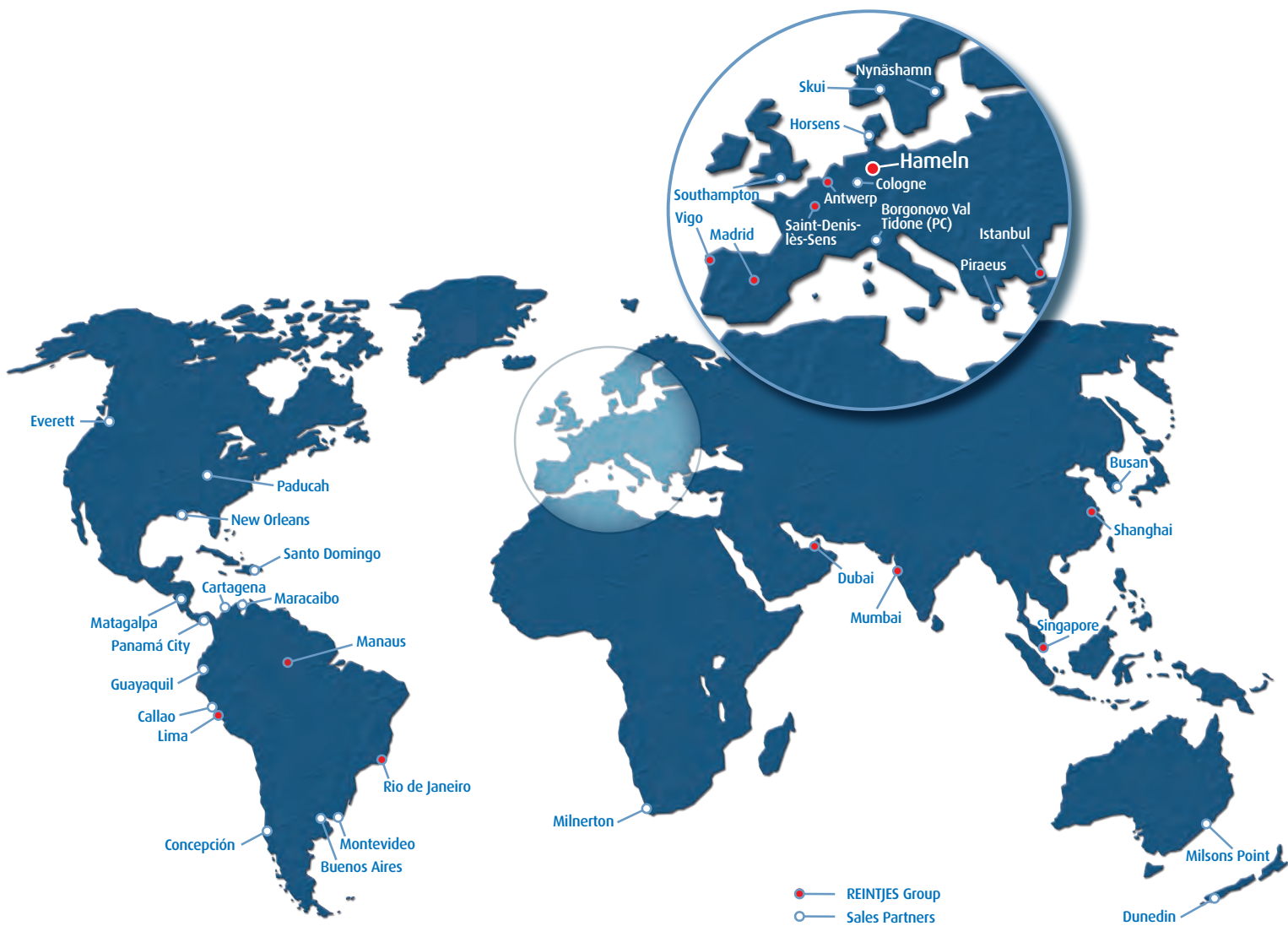
**FORTJES®**

**Conventional System**



3,2 m² more space





REINTJES GmbH  
 Eugen-Reintjes-Straße 7  
 31785 Hameln  
 Germany  
 Phone +49 51 51 104-0  
 Fax +49 51 51 104-300  
 E-mail [marine@reintjes-gears.de](mailto:marine@reintjes-gears.de)  
[www.reintjes-gears.de](http://www.reintjes-gears.de)